

ARIES G2 SPECIFICATIONS

Streaming Input	<ul style="list-style-type: none"> Network shared folder USB removable drive Internal music storage UPnP/DLNA media server TIDAL & Qobuz Internet Radio AirPlay, Bluetooth, Songcast Roon Ready
File Format	AAC, AIFF, ALAC, APE, DFF, DSF, FLAC, MP3, OGG, WAV, WV and WMA
Sampling Rate	PCM in 44.1KHz – 384KHz at 16 -32 bits DSD64 – DSD512 (DoP and Native)
Streaming Platform	AURALiC Tesla G2 with 1.2GHz quad-core processor 2GB system memory, 8GB data storage
Music Storage	Optional 2.5-inch internal SSD/HDD With no capacity limitation
Network Input	RJ45 Gigabit Ethernet Tri-Band 802.11ac Wireless Connection
Audio Output	AES/EBU, Coaxial, Toslink, USB Host Audio AURALiC Lightning Link
Internal Clock	Dual Femto Clock For Digital and USB audio outputs
Power Supply	Dual Purer-Power internal linear power supply 10uV low noise design for audio circuit
Noise Elimination	Dual Galvanic Isolation Digital and USB Audio EMI-shielding Unity Chassis
On-Device Display	3.97-inch retina resolution display
Control Software	Lightning DS Roon 3rd party OpenHome control software
Dimensions	340mm*320mm*80mm (W*D*H)
Weight	7.2kgs

AURALiC

Sound of Innovation

ARIES G2

Wireless Streaming Transporter

AURALiC
Sound of Innovation

AURALiC North America Inc.

711 Dawson Dr., Ste. A, Newark, DE 19713 United States

1F Building No.17, 1A Chaoqian Road, Beijing, 102200, China

<http://www.auralic.com/> info@auralic.com

TEL: +1-(302)314-5555

TEL: +86-(0)10-57325784



TIDAL

roon
ready

DSD
Direct Stream Digital

DXD
Digital eXtreme Definition

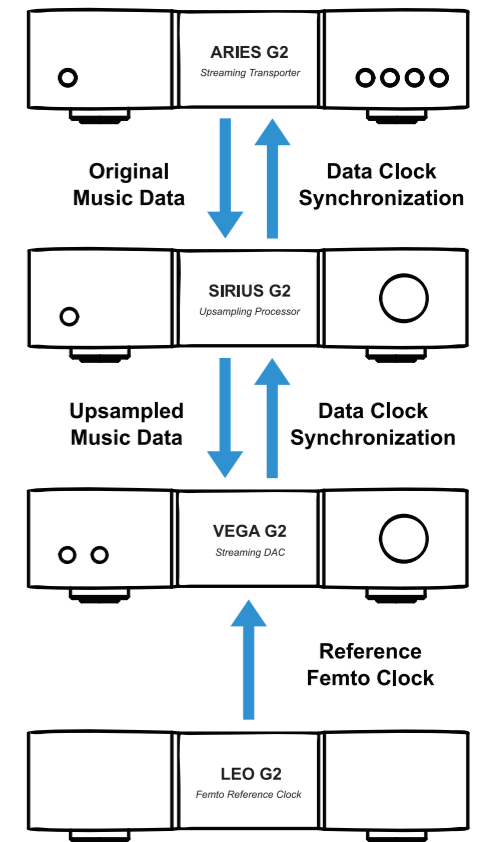
A New Standard in Digital Audio Streaming



Lightning Link

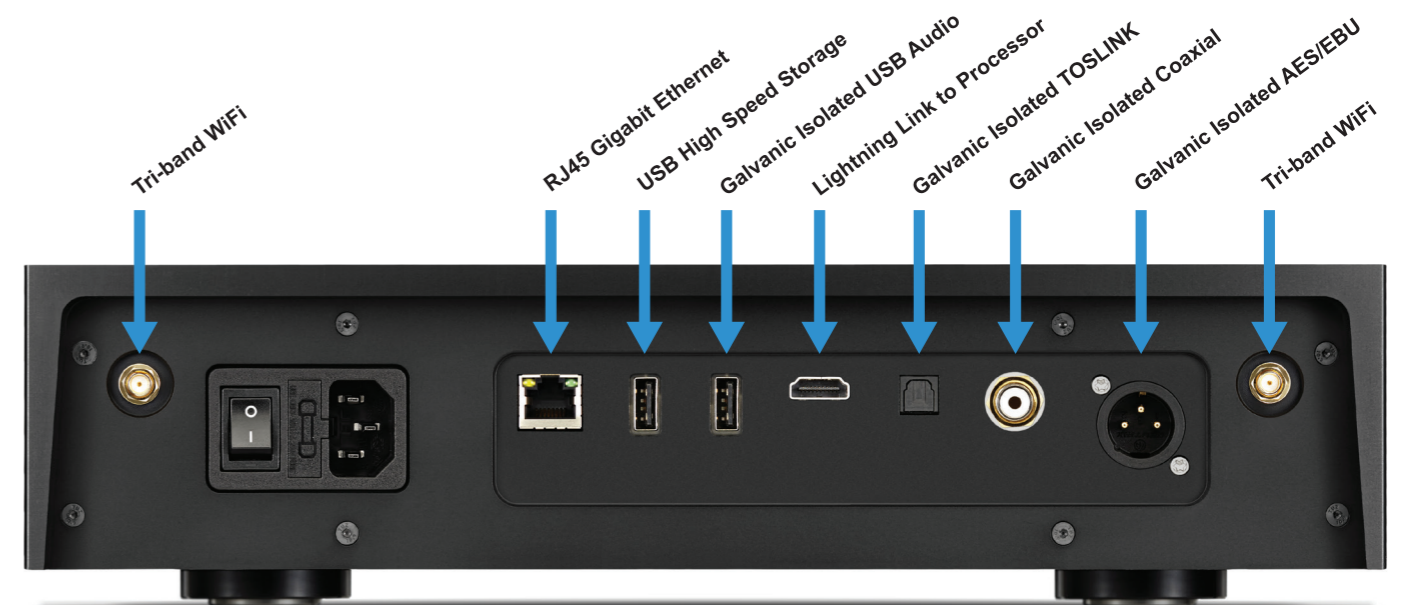
Lightning Link is a low-jitter, bi-directional 18Gbps coupling that takes advantage of high-speed HDMI-type hardware connectors to provide a superior level of transmission control, making today's ultra-high resolution digital music shine like never before.

Different from the other HDMI-based I2S connection, the bi-directional Lightning Link opens the door to jitter-free operation of all the devices in your system connected via Lightning Link. For example, clocking information from destination devices such as the VEGA G2 can drive the ARIES G2 timing for perfect data synchronization. Lightning Link also carries system control data for everything from volume control to processor engine setup, allowing all linked AURALiC devices to appear in a single, unified control interface.



Since 2014 the AURALiC ARIES Wireless Streaming Bridge has been the leader in the world of high-resolution audio streaming, and it became the premier choice for bridging the gap between lossless digital music sources and your home audio system. Now, with cutting-edge transfer protocols, faster processing, enhanced isolation engineering and a redesigned chassis, the brand-new **ARIES G2 Streaming Transporter** raises the standard for connecting your musical world.

The ARIES G2 wirelessly connects your home audio system to all your diverse sources of digital music, from networked and USB-attached storage to streaming services and Internet radio. Install any 2.5" solid-state or hard drive and the ARIES G2 becomes a fully functional music server. Feature-rich and lightning fast, the ARIES G2 incorporates cutting-edge **Galvanic Isolation** engineering and ultra-clean power control for impeccable care of the digital signals it handles. **Dual Femto Clocks** and an **EMI-shielding chassis** machined from a single billet of aluminum are among the features that make the ARIES G2 destined to set a new standard of quality in digital audio streaming.



Lightning Streaming
Tesla G2 Platform
Lightning Link

Dual Linear Purer-Power
Dual Femto Clocks
Galvanic Isolation

Unity Chassis
Internal Storage
Smart-IR Control