

Chord Electronics
Product Communication | English

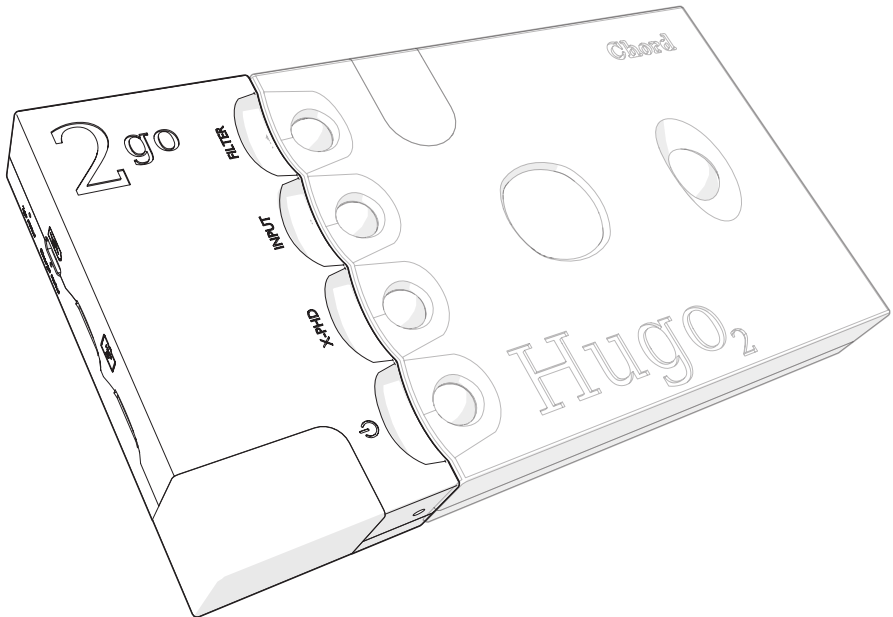
The Pumphouse, Farleigh Lane, East Farleigh, Kent,
ME16 9NB. Great Britain.
+44 (0) 1622 721 444
info@chordelectronics.co.uk
chordelectronics.co.uk

2go Manual

V.1.0



Chord Electronics Ltd.



Made in
BRITAIN 

1 Content

<hr/> 1	Introduction	3
<hr/> 2	Registering 2go	4
<hr/> 3	Updating 2go	4
<hr/> 4	Product description	5
<hr/> 5	Charging 2go	8
<hr/> 6	Connecting 2go to Hugo 2	9
<hr/> 7	Powering on 2go	10
<hr/> 8	GoFigure app - Configuration	11
<hr/> 9	Configuration menu	13
<hr/> 10	Connection methods	14
<hr/> 11	Audio playback	17
<hr/> 12	Manual configuration	20
<hr/> 13	Browser configuration	23
<hr/> 14	GoFigure app - Extra features	25
<hr/> 15	Technical Specifications	27

2 Introduction

This user manual is intended for 2go users. It contains all the information necessary to safely and successfully use 2go and consists of two sections:

- The user manual describes 2go and provides the essential user instructions.
- The extended manual contains information that is not directly related to everyday use.

2.1 Safety

Please take note of the following safety instructions before using 2go:

- Never allow 2go to come into contact with water or other liquids.
- Never spray cleaner onto 2go. Only use a clean microfibre cloth to clean the casing.
- Before using this product you must read the safety document included in the box.

2.2 Warranty

2go comes with a comprehensive 3 year warranty. To activate this warranty, please register your 2go via the Chord Electronics website: www.chordelectronics.co.uk/register-product

3 Registering 2go

2go comes with a three-year warranty that covers defects in materials and workmanship through fair wear and tear.



- Register your 2go via the Chord Electronics website: www.chordelectronics.co.uk/register-product
- We recommend you register your product as it's the first important step in protecting your investment and helps us to provide you with the best possible after-sales support.

4 Updating 2go

New firmware is periodically issued to guarantee high performance and introduce new features to 2go. These updates can be found in the GoFigure app.

1. In the **Settings** tab **4** of the GoFigure app, press **Device Settings**.
2. Press **Firmware Update** and select the update you wish to install.

2go can also be updated via manual configuration:

- Select "*Firmware update*" by pressing the **Configuration button** **B** (see chapter 9).

NOTICE The GoFigure app will not actively notify you of new updates. Check the app regularly to keep your 2go up to date.

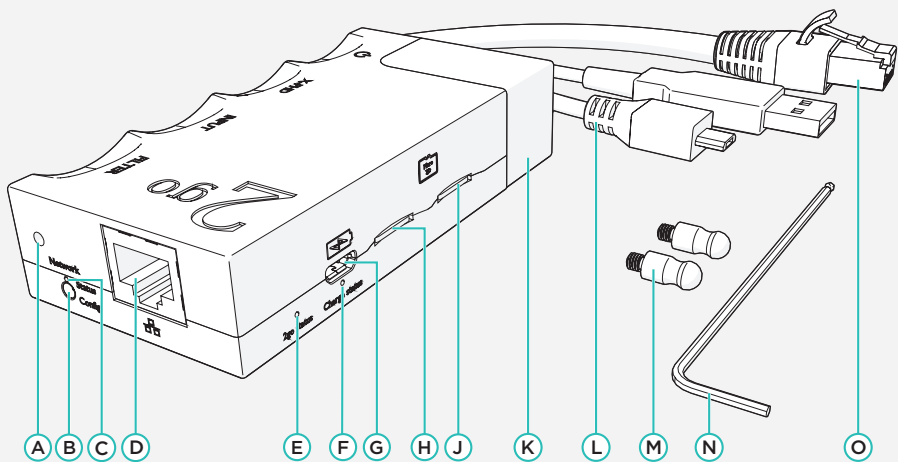
NOTICE Updates can only be downloaded when 2go is connected to a network with internet access.

5 Product description

2go is a portable music streamer and player. Combined with Hugo 2, it can wirelessly stream from connected devices and play back audio via Roon, AirPlay or from a Micro SD card, all with smartphone control. 2go provides access to hi-fi sound quality at home or on-the-go, via Wi-Fi, Bluetooth or LAN.

5.1 Main parts

Please take a moment to familiarize yourself with 2go's main parts:



A Locking hex screw

B ON/OFF / Configuration button

C Network status LED

D Ethernet port

E 2go status LED

F Charge status LED

G Micro USB charging port

H MicroSD slot (left)

J MicroSD slot (right)

K Wi-Fi / Bluetooth antenna

L USB cable

M Connector pins

N Allen wrench












O Ethernet cable

5.2 Status LEDs

2go uses three LEDs to communicate feedback:

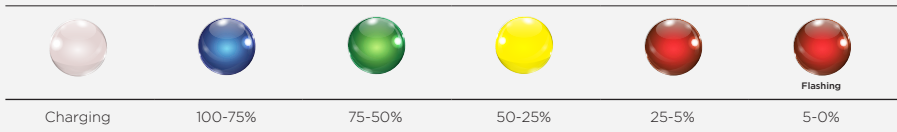
- **2go status LED** **E**
- **Network status LED** **C**
- **Charge status LED** **F**

These LEDs emit various colours to communicate 2go's status:

2go status LED	Network status LED
 Flashing	 Flashing
2go is in Hotspot mode and is available as a Wi-Fi connection for an external device.	2go is searching for a known Wi-Fi network.
 Flashing	 Flashing
2go has successfully read the inserted MicroSD card.	2go has established a Wi-Fi connection.
 Flashing	 Flashing
2go cannot read the inserted MicroSD card.	2go has established an Ethernet connection.
 Flashing	 Flashing
2go has successfully paired via Bluetooth.	2go is booting.
 Flashing fast	
Refreshing SD card database.	
 Flashing slowly	
2go is updating its firmware.	
 Flashing	
2go is charging.	

5.3 Battery level

When 2go is switched on, the **charge status LED**  will glow in 1 of 4 colours to indicate the battery level:



NOTICE The microprocessor remains active when 2go is switched off. This causes the battery to slowly empty over time.

TIP The battery level is also displayed in the Home menu of the GoFigure app (see chapter 6).

5.4 Audio playback

2go can play back audio from the following sources:

- DLNA
 - As a server
 - Tidal (via Gofigure)
 - Qobuz (via Gofigure)
- Internet radio (via Gofigure)
- MPD
- Bluetooth Audio (A2DP)
- Roon
- Airplay
- MicroSD cards (Up to maximum capacity 4TB)

To playback audio via Hugo 2 please make sure that Hugo 2 is switched on and that the USB input is selected. This is shown by the input LED showing a white light.



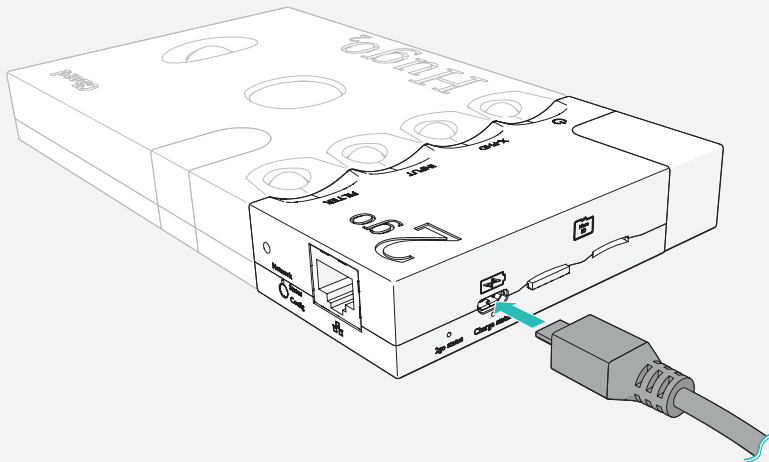
6 Charging 2go

2go can be charged with the provided **USB cable L** or the charger supplied with Hugo 2. It takes about 5 hours to charge 2go. 2go and Hugo 2 can be charged simultaneously, with a charge time of about 8 hours.

NOTICE When using a different charger, make sure it can supply at least 1A to charge 2go. To charge 2go and Hugo 2 simultaneously, an input of at least 2A is required. Using a 1A charger to charge both devices simultaneously will result in only Hugo 2 being charged.

TIP We recommend that you fully charge 2go before using it for the first time.

TIP 2go can be charged while playing back audio, but this increases the charging time.



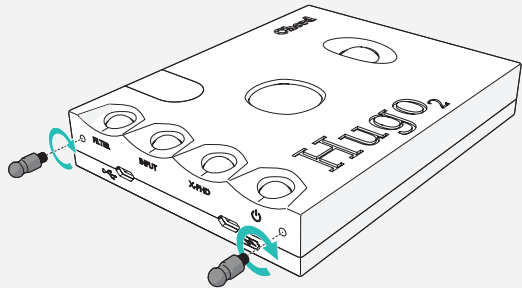
To charge 2go:

1. Insert the **USB cable L** or Hugo 2 charger into the **Micro USB charging port G**.
2. Insert the other end of the **USB cable L** or Hugo 2 charger into a suitable power outlet or adapter. 2go will start to charge and the **charge status LED F** and **2go status LED E** will emit a solid white light.

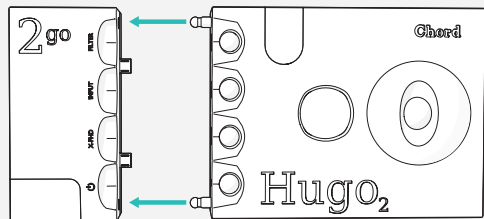
7 Connecting 2go to Hugo 2

To connect 2go to Hugo 2:

1. Screw the **connector pins** **M** into the front of Hugo 2 until finger tight.
NOTE: please do not over-tighten as this will damage your Hugo 2



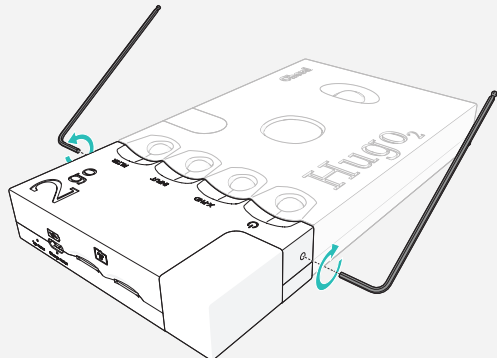
2. Gently attach 2go to Hugo 2.



3. Tighten 2go's **locking hex screws** **A** with the provided **Allen wrench**

NOTICE

4. If your two devices are not connecting with ease, please slightly loosen the connector pins half a turn and re-join the two devices



8 Powering on 2go

To power on 2go:

1. Attach 2go to Hugo 2 (see chapter 4).
2. Press and hold the 'config' button **B** for 2 seconds.
or
3. Press and hold the power button of Hugo2 until the buttons start to glow. 2go will now automatically switch on.
4. Wait approximately 15 seconds. The Network status LED **C** will remain Orange whilst booting up (please wait). When fully booted the LED will then show the current network status (see section 2.2).
5. If you intend to play back audio via Hugo 2, you will need to select the USB input on the device. This is denoted by a white LED,

TIP We recommend using a 2go case to protect the connection between the two devices.

8.1 Powering off

To power off 2go:

1. Press and hold the 'config' button **B** for 5 seconds.
or
2. Press and hold the power button of Hugo 2. This switches both devices off.
3. Wait 20 seconds for 2go to power off

9 GoFigure app – Configuration

2go can be configured with the GoFigure app, available for download on the App Store or Google Play.



9.1 Requirement

Your control device must have Bluetooth Low Energy (BLE) or Wi-Fi compatibility. If this requirement is not met, **see chapter 9** for the manual configuration method.

9.2 First use

The Setup Wizard of the GoFigure app can be used to quickly set 2go's most important settings (see page 11):

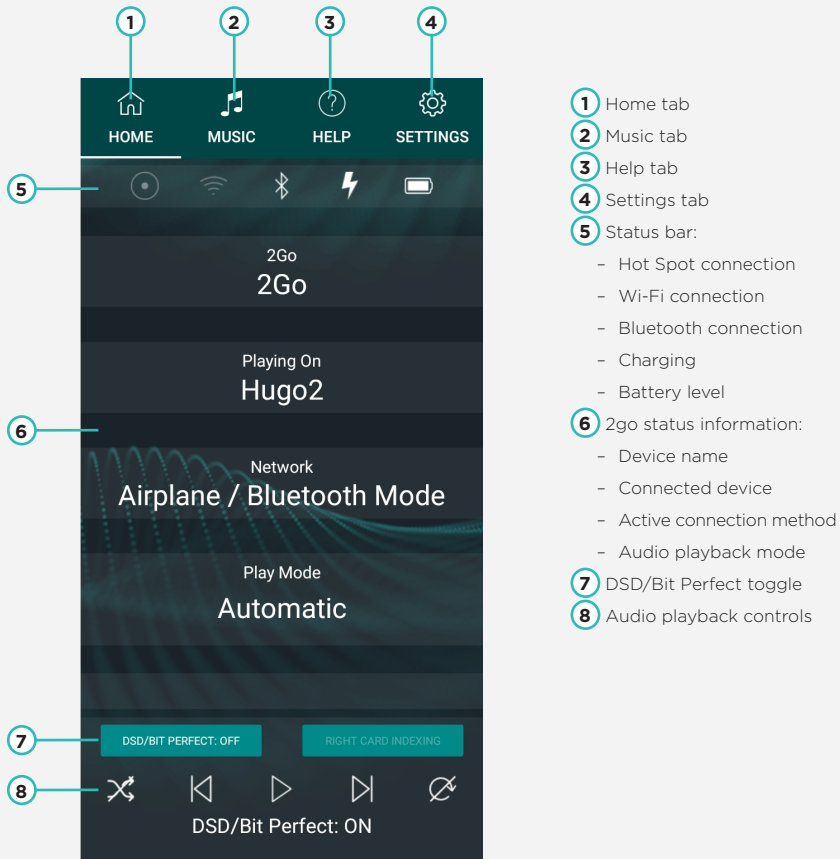
1. Install the GoFigure app on your control device.
2. Enable Bluetooth on your control device.
3. Make sure 2go is within range of your control device (< 5 m).
4. Open the GoFigure app and press **Select Device**. The app will scan for a nearby 2go.
5. Select 2go once it appears on your screen and press **Select Device**.
6. Please wait while the app loads your 2go.
7. Enter a custom name for your 2go (optional). Press **Audio Playback** to continue.
8. Select your Wi-Fi network and input your Password OR If using LAN, please connect your cable and skip this step.
 - Press **Wi-Fi Normal** to connect to a regular Wi-Fi network. Select your Wi-Fi network and enter the password. Press **Continue/Submit**.
 - Press **Wi-Fi Hotspot** to switch on 2go's Hotspot. To connect, open your Wifi settings and select 2go-*****
 - Press Bluetooth to connect to your 2go via Bluetooth.
9. Press FINISH to complete the setup wizard.

When using the GoFigure app for the second time, it will open on the Devices Near You page. Select your 2go to go straight to the configuration menu.



10 Configuration menu

The configuration menu of the GoFigure app allows you to manage and control your 2go:



11 Connection methods

2Go can connect to an audio source or your control device via Bluetooth, Wi-Fi or LAN.

11.1 Bluetooth

2go's Bluetooth connection is always available. To establish a Bluetooth connection:

1. Enable Bluetooth on your control device or audio source.
2. Make sure 2go is within range of your control device (< 5 m).
3. Select 2go from the list of available devices.
4. If asked, enter 0000 as the input code. The **2go status LED** **E** flashes purple when the connection is registered.

NOTICE Bluetooth is a user-friendly wireless connection method, but can result in some loss of sound quality. The use of a Wi-Fi connection is recommended for optimal sound quality.

NOTICE 2go has a maximum Bluetooth range of 5 metres. Sound distortion may occur beyond this range.

TIP The PIN can be changed in the **Device Settings** menu of the **Settings** tab **4** of the GoFigure app.

11.2 Wi-Fi

Wi-Fi (or LAN) is the preferred connection method because it ensures the best sound quality. 2go can establish a Wi-Fi connection in two ways.

NOTICE For optimal Wi-Fi performance, keep the **Wi-Fi antenna** **K** clear of obstacles.

NOTICE 2Go communicates only via 2.4 GHz networks and has a maximum Wi-Fi range of 10 metres.

TIP If you intend to play back music via Hugo 2 please select the USB input on the device. This is denoted by a white input LED being shown.

External network

2go can connect to an available Wi-Fi network. This option is enabled when **Airplane Mode** and **Hotspot Mode** are deselected in the **Settings** tab ④.

1. In the **Settings** tab ④, press **Wi-Fi** to select or manually add a network.
2. Select an available network from the list. Enter the password and press **Submit** to connect.
or
3. Press **Manually add network** and enter the name and password of the network you want to add.
Press **Done** to connect.

TIP 2go can also connect to a Wi-Fi hotspot generated by a mobile device.

TIP You can add multiple networks to 2go. They will be automatically remembered and connected to when in range.

Hotspot mode

2go can create its own Wi-Fi hotspot. This acts as a replacement for Wi-Fi when no external network is available.

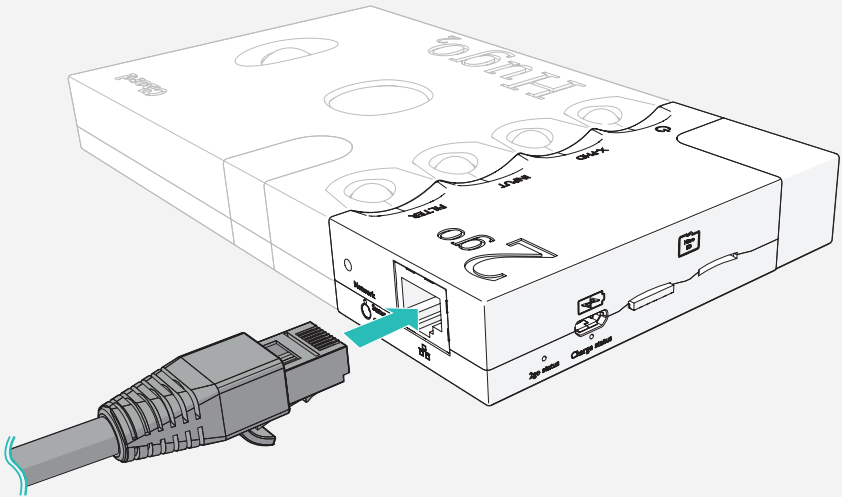
1. In the **Settings** tab ④, select **Hotspot Mode**.
2. Enable Wi-Fi on your control device and select 2go-XXXX to connect, where XXXXX is a number unique to your 2go.
3. If available, select the "Use without internet" (IOS) or "Use this network as is" (Android) option on your control device when connecting to 2go's hotspot.
 - On an iOS device, press "cancel" in the top right corner to reveal this option. Repeat this step if necessary.

NOTICE Once your control device is successfully connected, these steps do not need to be repeated when using Hotspot mode again.

11.3 LAN

When wireless internet is not available, 2go can establish a LAN connection via an ethernet cable:

1. Connect the provided **ethernet cable** **(O)** to 2go's **ethernet port** **(D)**



NOTICE Wi-Fi is disabled when an Ethernet cable is connected.

TIP A LAN connection should be registered automatically will in most cases allow for zero configuration.

12 Audio playback

2go can play back audio from the various sources (see chapter 2) and will automatically select the correct source for you when you press play. Please make sure that if you are playing back audio through Hugo 2 that the USB input is selected, this is denoted by a white colour.

12.1 Roon

2go can act as a Roon Ready device and play back audio from your personal Roon server:

1. Make sure 2go is connected to the same network as your 'Roon Core' and/or 'Remote device'.
2. Navigate to your Roon Output settings and enable 2go. 2go is now a registered output.

12.2 Airplay

2go supports AirPlay, which allows it to connect to and play back audio from your Apple devices.

1. Make sure 2go and your Apple device are connected to the same Wi-Fi network.
2. Navigate to your Apple device's audio output options and select 2go. All audio will now route to 2go.

TIP

Please ensure your iPhone master volume is set to maximum before adjusting the Hugo 2 volume

12.3 Bluetooth audio

2go can play back audio via a Bluetooth connection.

1. Enable Bluetooth on your control device and select 2go to connect.
2. Play music from your control device.

NOTICE

If there are multiple 2go devices available, please select the one that is currently not selected.

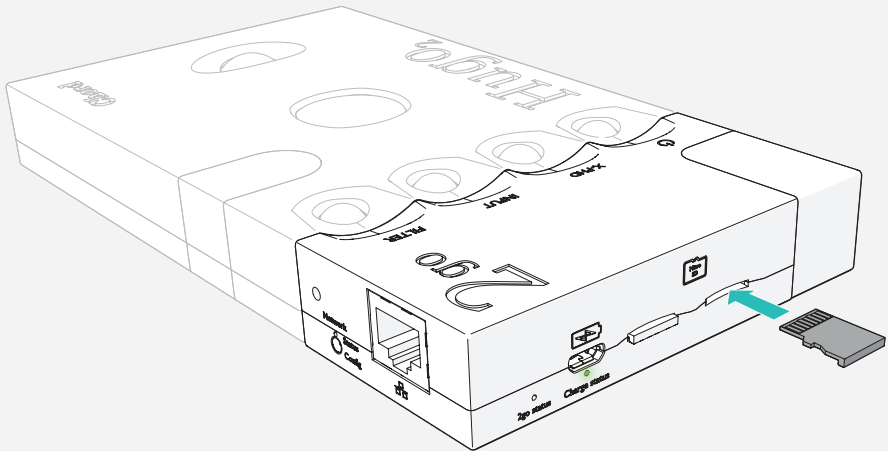
12.4 MicroSD cards

2go is able to play back music stored on one or two MicroSD cards via DLNA, UPnP or MPD.

NOTICE 2go has two **MicroSD slots** **H** **J**.

NOTICE 2go supports up to a total of 4 TB of MicroSD storage capacity.

1. Insert a MicroSD card into one of the **MicroSD slots** **H** **J**. The **2go status LED** **E** flashes green when the card is detected.




NOTICE If there is an error when reading the card, the **2go status LED** **E** will flash red. Remove the card, check the content and re-insert.

TIP If 2go does not detect the MicroSD card, insert the card into a computer and make sure it is formatted to ExFat.

2. On your control device, open a DLNA, UPnP or MPD app of your choice (e.g. BubbleUPnP (Android) or 8 Player (iOS)).
3. In the app, select 2go as the audio output.
4. Select a song from the MicroSD card's directory to begin playback.

Quickplay

The Quickplay option allows you to look at any MPD playlists stored on the MicroSD card. See chapter 11 for more information.

1. Press the **Music** tab  or use the playback controls on the home screen.
2. Select one of the available playlists to begin playback.
or
3. Select an SD card or the Radio to begin playback.

13 Manual configuration

If your 2go or control device does not meet the requirements for configuration via the GoFigure app, the connectivity and audio playback modes can also be manually configured.

13.1 Connecting 2go

2go can be connected to external devices in four ways (see chapter 7):

- Bluetooth
- Wi-Fi network
- Wi-Fi hotspot
- Local Area Network (LAN).

NOTICE Bluetooth is always available, while the other wireless connectivity modes can be manually selected with the **Configuration button B**.

TIP A LAN connection can be established via an Ethernet cable.

13.2 Configuration method

2go can be manually configured by using the **Configuration button B**:

NOTICE The use of headphones is necessary while progressing through the options. This allows you to receive spoken feedback and instructions during the process.

1. Connect 2go to Hugo 2 (see chapter 4).
2. Connect your headphones to Hugo 2.
3. Press the **Configuration button B** once to start the sequence:

») "mode: press for mode"

4. Press the **Configuration button** **B** repeatedly to progress through the options:

- ») "mode: current mode"
- ») "mode: enter Hotspot mode"
- ») "mode: enter Network mode"
- ») "mode: Hotspot password reset"
- ») "mode: Bluetooth PIN reset"
- ») "factory reset"
- ») "firmware update"

5. After reaching the desired option, wait 5 seconds. Press the **Configuration button** **B** one last time when instructed:

- ») "mode: press to enter XXXX mode"
- ») "mode: entering XXXX mode"

NOTICE Selecting one of the three reset options requires you to hold the **Configuration button** **B** for several seconds.

TIP Selecting "mode: current mode" will prompt 2go to tell you the current connectivity mode.

13.3 Bluetooth connection

2go's Bluetooth connection is always available, no matter which mode is selected.

1. Enable Bluetooth on your control device.
2. Select 2go from the list of available devices.
3. If asked, enter 0000 as the input code. The **2go status LED** **E** flashes purple when the connection is registered.

NOTICE Bluetooth is a user-friendly wireless connection method, but can result in some loss of sound quality. We recommend using a Wi-Fi connection for optimal sound quality.

TIP The 'Bluetooth' PIN can be changed in the GoFigure app.

Wi-Fi network mode

Network mode allows 2go to connect to an available Wi-Fi network.

1. Select “*mode: enter Network mode*” by using the **Configuration button** **(B)**.

TIP 2go is available for Wi-Fi connection when the **2go status LED** **(E)** starts to flash blue.

TIP 2go will automatically look for or connect to a known Wi-Fi network. A new Wi-Fi network must first be added in the browser configuration menu. See chapter 7 on how to connect to a Wi-Fi network.

13.4 Wi-Fi hotspot mode

Wi-Fi Hotspot mode allows you to connect to a Wi-Fi network created by your 2go. It acts as a replacement for Wi-Fi when no external network is available.

1. Select “*mode: enter Hotspot mode*” by using the **Configuration button** **(B)**. The **2go status LED** **(E)** will flash blue and green when 2go is in Hotspot mode.
2. Enable Wi-Fi on your control device.
3. Select 2go-XXXXX to connect to the hotspot, where XXXXX is a number unique to your 2go.

13.5 Factory reset

The factory reset option allows you to erase all user adjustable information from 2go’s memory (e.g. Wi-Fi networks, passwords and playlists).

1. Select “*factory reset*” by using the **Configuration button** **(B)**.

NOTICE Remove your MicroSD card from 2go before running a factory reset. 2go will otherwise re-index the card as soon as the reset is complete.

NOTICE The name of your 2go may not reset when re-connecting 2go to a previously connected control device. The name will reset once the Bluetooth cache is updated.

TIP The factory reset option is also available in the GoFigure app (see chapter 11).

14 Browser configuration

As an alternative to the GoFigure app, 2go can also be configured in a browser menu. This menu is only available on a control device that is connected to the Wi-Fi hotspot generated by 2go.

1. Activate the Hotspot mode of 2go.
2. Connect your control device to 2GO-XXXXX, where XXXXX is a number unique to your 2go.
3. Open a web browser window and go to www.2go.audio or <http://192.168.1.1>

The browser configuration menu has three sections:

- Wi-Fi settings
- Manage Connections
- Play Mode settings

14.1 Play Mode settings

The Play Mode settings section allows you to:

- Select **Roon Ready** to use Roon as the audio playback mode.
 - Select **DSD** to use Roon DSD mode. **MPD Bit Perfect Audio** is automatically selected as well (see chapter 11 for more information).
- Select **Other** to use Micro SD, Airplay or Bluetooth audio as the audio playback mode.
 - Select **MPD Bit Perfect Audio** if you wish to only use Hugo 2 for volume control.
 - Select **Keep in Hotspot Mode** if you wish to stay connected to 2Go's hotspot.
- Save your settings.

NOTICE Deselect **Keep in Hotspot Mode** if you want to connect to a newly added Wi-Fi network.

NOTICE When switching between Hotspot mode and Network mode, press **Save and Reboot** to ensure 2go reboots in the new mode.

Wi-Fi settings

The Wi-Fi settings section allows you to:

- (Re)name your 2go.
- Enter the network name and password of the Wi-Fi network you wish to use.
- Save a Wi-Fi network to add it to 2go's memory.
- Assign a password to the Wi-Fi hotspot created by your 2go when in Hotspot mode.
- Select the country that matches the used Wi-Fi network.

Manage Connections

The Manage Connections section allows you to delete a previously saved Wi-Fi network from 2go's memory.

15 GoFigure app – Extra features

The GoFigure app's configuration menu has some extra features that allow you to customize your 2go audio playback experience.

15.1 DSD / Bit Perfect

Adjusting the volume with the physical controls of your control device can compromise the quality of the digital signal. DSD / Bit Perfect disables the physical volume control on your control device and prevents this from happening.

1. In the **Settings** tab **4** of the configuration menu, toggle **DSD / Bit Perfect**.

NOTICE This mode must be enabled for DSD playback via Roon.

NOTICE Enabling DSD/ Bit-Perfect will disable the control devices master volume control.

15.2 Quickplay

The Quickplay option allows you to look at any MPD playlists stored on the Micro SD card.

1. In the **Music** tab **2** of the GoFigure app, select the MicroSD card you want to view.
2. Select one of the available playlists to begin playback.

TIP Quickplay uses the BLE connection between 2go and your control device, so no Wi-Fi connection is required.

TIP MPD playlists can be created in applications such as MPDeluxe (iOS), Glider (iOS) or M.A.L.P. (Android).

15.3 General Settings

The General Settings menu contains information about 2go's networks and the contents of its MicroSD card.

1. In the **Settings** tab **4** of the configuration menu, press **General Settings**.
2. Press **Refresh DLNA Database** to retrieve information about a newly inserted MicroSD card.

15.4 Device Settings

The **Device Settings** menu allows you to change 2go's settings.

1. In the **Settings** tab **4** of the configuration menu, press **Device Settings**.
2. Press **Re-run Wizard** to repeat the initial configuration process.
3. Press **Factory Reset** to reset 2go back to its default factory settings.

15.5 Radio option

1. In the **Music** tab **2** of the configuration menu, press **Radio**.
2. Select one of the available radio stations to begin playback.
or
3. Add a radio station.

NOTICE 2go must be connected to an active WiFi network in order to access digital radio.

16 Technical Specifications

We are invested in keeping 2go up to date. Please refer to www.chordelectronics.co.uk for the most recent specifications.

Dimensions	50 x 62 x 22 mm
Weight 2Go	91 g
Weight 2Go + Hugo 2	180 g
Playback time	Approx. 12+ hours
Charging time	Approx. 5 hours
Charging input	5V / 2A
Wi-Fi	2.4 GHz
Bluetooth	4.1 / A2DP
PCM sample rates	44.1 kHz - 768 kHz
DSD via DoP	DSD64 - DSD256
Storage	MicroSD (up to 4 TB)



Chord Electronics Ltd.

